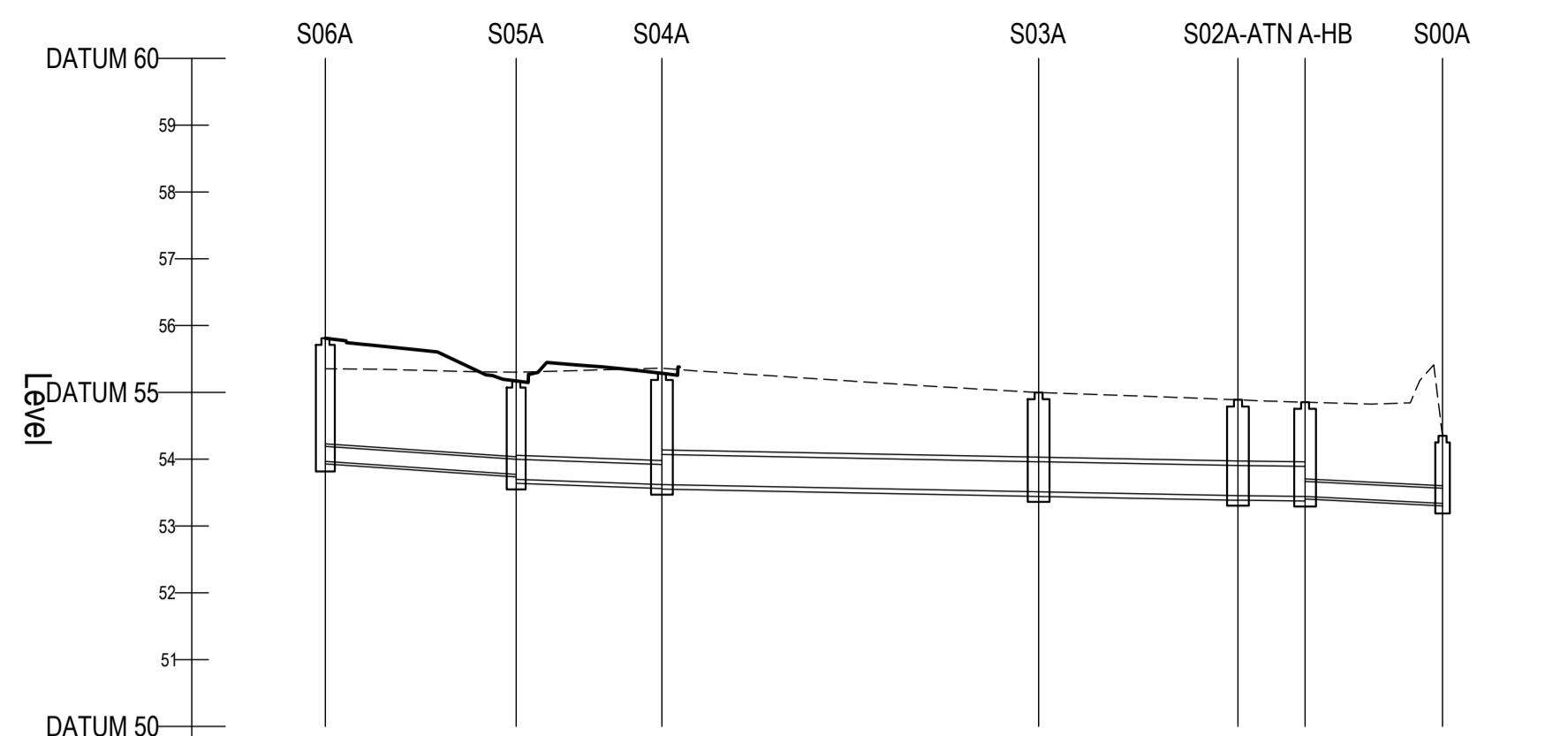
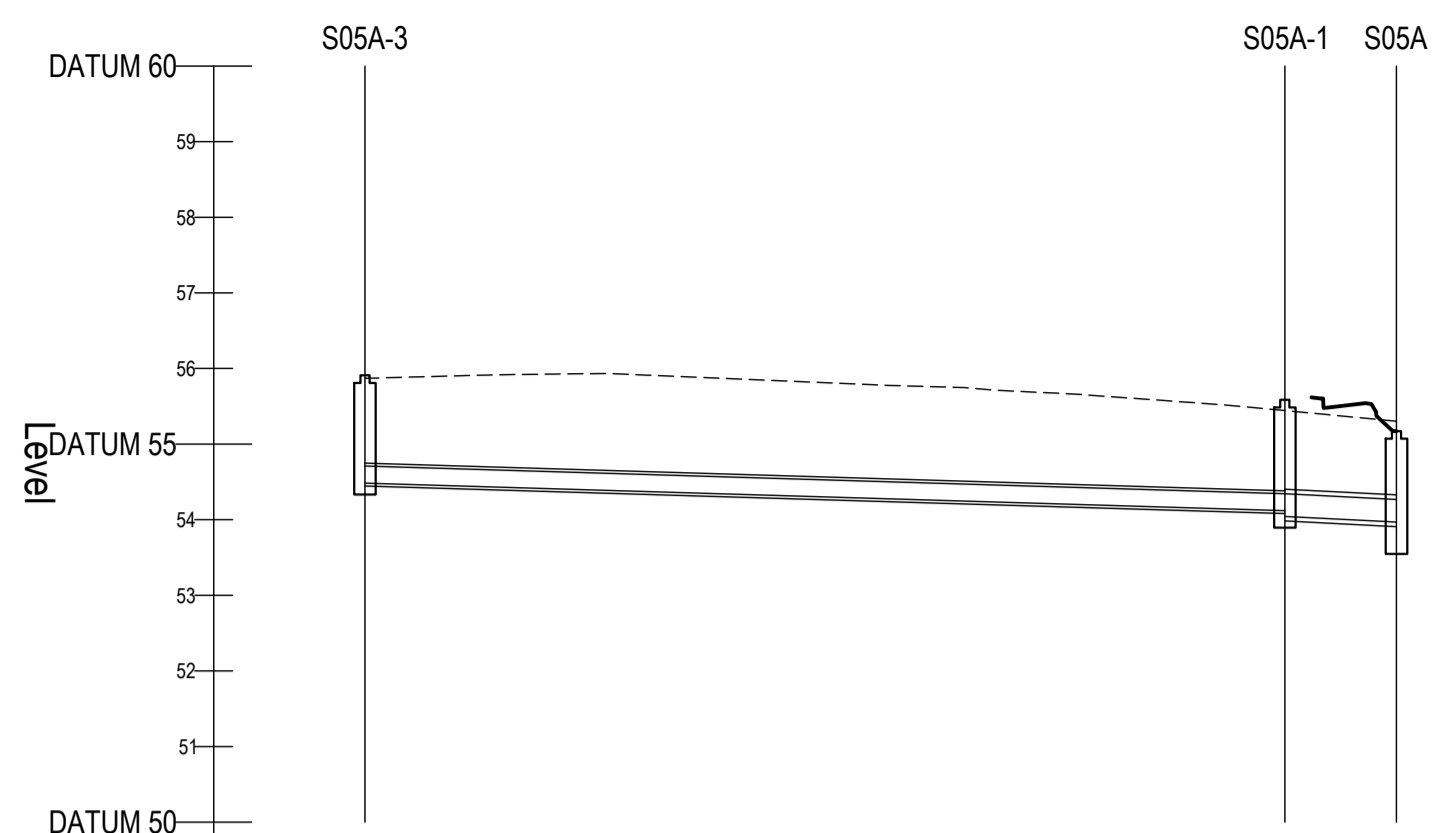


SCALE: H 1:500,V 1:100. DATUM: 50.000



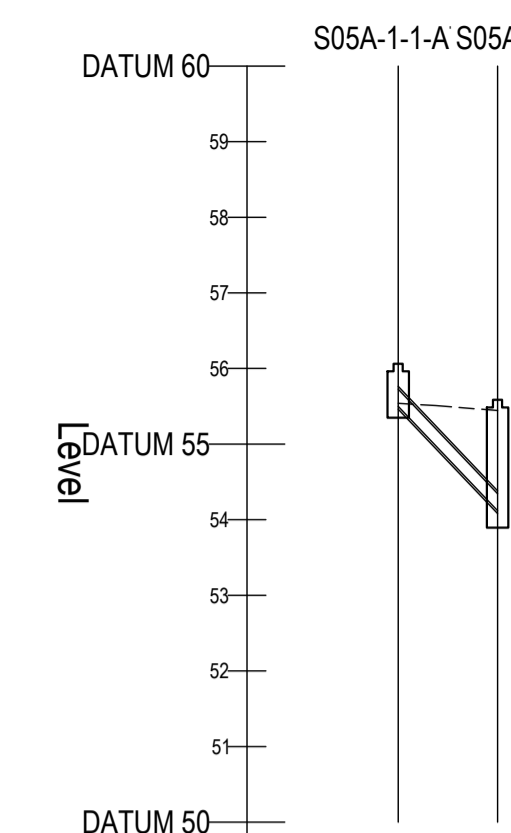
COVER LEVEL		55.611	55.171	55.686		54.898		54.869	54.864	54.350
INVERT LEVEL		53.996	53.773	53.608	53.620	53.620	53.572	53.455	53.442	53.339
DEPTH (m)		1.615	1.473	1.668			1.468	1.434	1.412	1.011
DISTANCE (m)			14.29	10.91	28.20		14.93	5.02	10.29	
PIPE SLOPE		1:74	1:140	1:260		1:260	1:400	1:100		
PIPE SIZE		225mm	300mm	450mm		450mm	450mm	225mm		

SCALE: H 1:500,V 1:100. DATUM: 50.000



COVER LEVEL		55.800		55.986	55.171
INVERT LEVEL		54.644	54.119	54.044	53.986
DEPTH (m)		1.156		1.142	1.171
DISTANCE (m)			60.84	7.38	
PIPE SLOPE			1:167	1:97	
PIPE SIZE			225mm	300mm	

SCALE: H 1:500,V 1:100. DATUM: 50.000

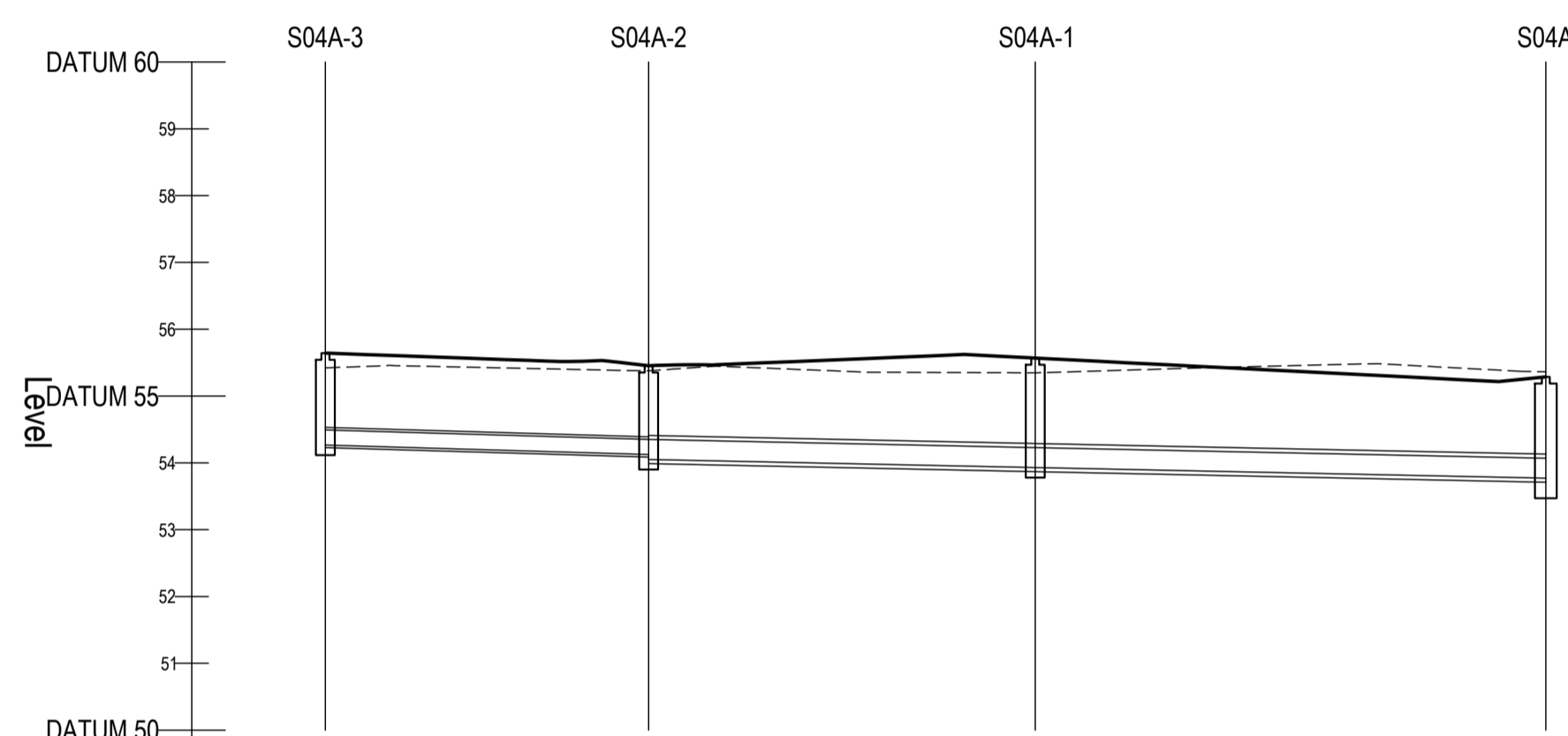


COVER LEVEL		55.063	55.986
INVERT LEVEL		55.500	54.120
DEPTH (m)		0.963	1.542
DISTANCE (m)			6.57
PIPE SLOPE			1:5
PIPE SIZE			225mm

ON ORIGINAL

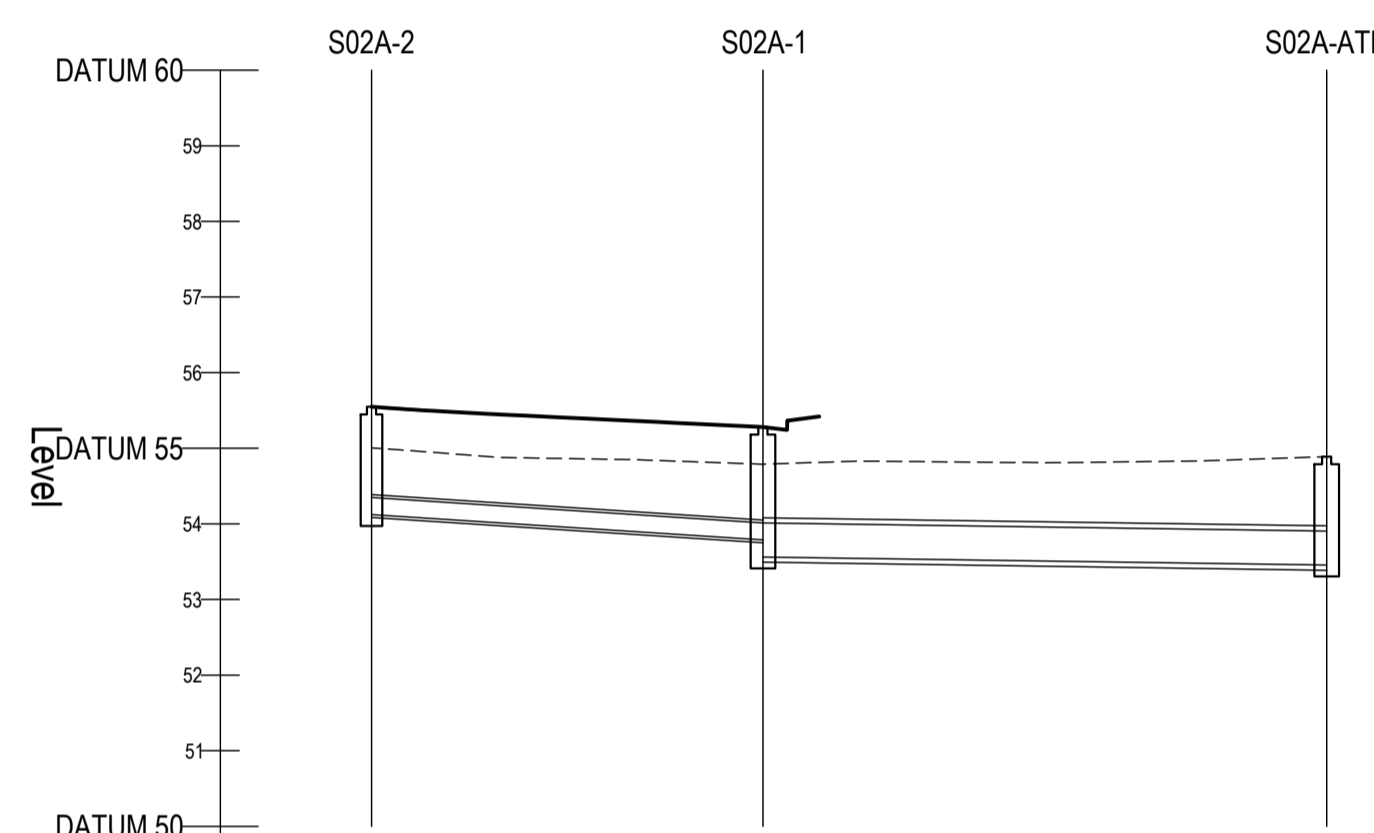
 © COPYRIGHT OF THIS DRAWING IS RESERVED BY DBFL CONSULTING ENGINEERS. NO PART SHALL BE REPRODUCED OR TRANSMITTED WITHOUT THEIR WRITTEN PERMISSION.
 NO CHANGES OF WHATSOEVER NATURE ARE TO BE MADE TO ANY DETAILS SET OUT OR CONTAINED IN ANY DBFL SPECIFICATIONS OR DRAWINGS UNLESS THE EXPRESS CONSENT HAS BEEN OBTAINED IN ADVANCE, IN WRITING, FROM DBFL.
 NOTES:
 1. ALL DRAWINGS TO BE CHECKED BY CONTRACTOR ON SITE AND ENGINEER INFORMED OF DISCREPANCIES BEFORE WORK COMMENCES
 2. ALL LEVELS ARE IN METRES AND ARE RELATED TO ORDNANCE DATUM
 3. CONTRACTOR SHALL SATISFY HIMSELF AS TO THE ACCURACY OF PAVEMENT LEVELS ON SITE PRIOR TO COMMENCEMENT OF WORKS ON SITE
 4. ALL WORKS TO BE CONSTRUCTED IN ACCORDANCE WITH THE NRA SPECIFICATION FOR ROAD WORKS UNLESS NOTED OTHERWISE
 5. THIS DRAWING IS FOR PLANNING PURPOSES ONLY
 6. MANHOLE COVER LEVELS ARE TO CONFORM WITH FINISHED ROAD AND PATH LEVELS
 7. WHERE COVER TO PIPE IS LESS THAN 100mm (ROAD/PATH/VERGE) OR 900mm (OPEN SPACE) SURROUND PIPE IN MINIMUM 150mm CONCRETE

SCALE: H 1:500,V 1:100. DATUM: 50.000



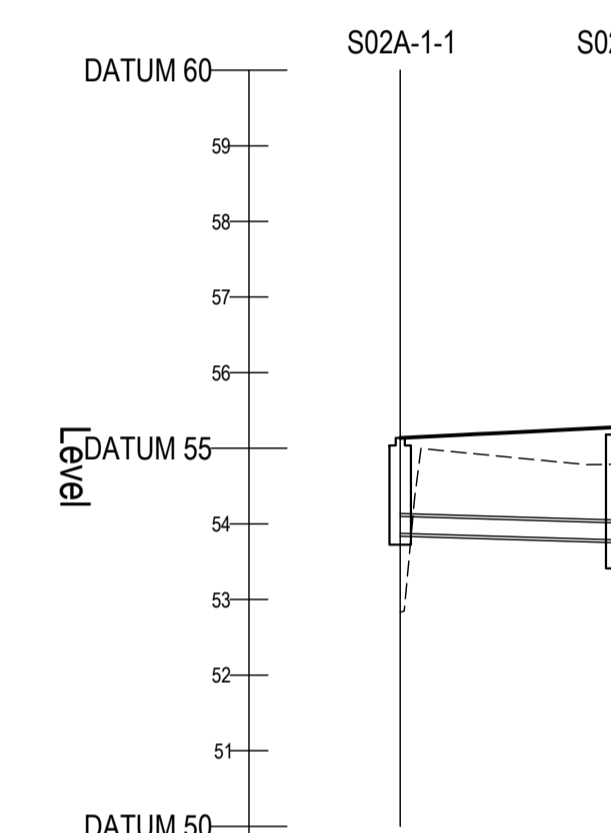
COVER LEVEL		56.643	56.453	55.958	55.266
INVERT LEVEL		54.267	54.125	53.929	53.770
DEPTH (m)		1.376	1.403	1.639	1.666
DISTANCE (m)			24.20	28.95	38.23
PIPE SLOPE			1:170	1:239	1:240
PIPE SIZE			225mm	300mm	300mm

SCALE: H 1:500,V 1:100. DATUM: 50.000



COVER LEVEL		55.548	56.260	54.889
INVERT LEVEL		54.123	53.787	53.165
DEPTH (m)		1.425	1.718	1.434
DISTANCE (m)			25.89	37.29
PIPE SLOPE			1:77	1:348
PIPE SIZE			225mm	450mm

SCALE: H 1:500,V 1:100. DATUM: 50.000

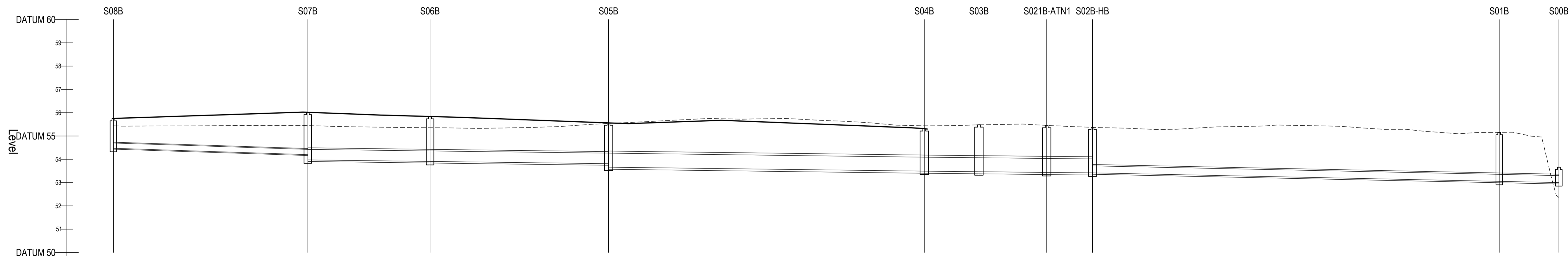


COVER LEVEL		56.136	56.260
INVERT LEVEL		53.874	53.787
DEPTH (m)		1.262	1.718
DISTANCE (m)			14.42
PIPE SLOPE			1:166
PIPE SIZE			225mm

KEY

 - - - - - EXISTING GROUND PROFILE
 _____ PROPOSED GROUND PROFILE

SCALE: H 1:500,V 1:100. DATUM: 50.000



COVER LEVEL		55.748	56.016	55.836	55.561	55.313	55.480	55.454	55.371	55.154	53.660
INVERT LEVEL		54.473	54.199	53.908	53.812	53.490	53.467	53.435	53.417	53.053	53.000
DEPTH (m)		1.275	2.042	1.928	1.889	1.823	2.013	2.019	1.954	2.101	0.660
DISTANCE (m)			41.76	26.26	38.35	67.82	11.75	14.55	9.84	87.38	12.80
PIPE SLOPE			1:152	1:398	1:394	1:511	1:455	1:546	1:240	1:242	
PIPE SIZE			225mm	450mm	450mm	600mm	600mm	600mm	300mm	300mm	

P01	09-06-22	PLANNING SUBMISSION	dke	NOH
rev	date	description	by	chkd.
		A - Approved		
		B - Approved with comments		
		C - Do not use		
client approval				
suitability		issue purpose		
S4 - STAGE APPROVAL		PLANNING		
DBFL Consulting Engineers Civil, Structural & Transportation Engineering www.dbfl.ie				
DUBLIN OFFICE: Ormond House, Upper Ormond Quay, Dublin 7, D07 W704 PHONE: +353 1 406 4000				
CORK OFFICE: 14 South Mall, Cork, T12 CT91 PHONE: +353 21 2024538				
WATERFORD OFFICE: Suite 10 The Arkun, Marina Gate, Canada Street, Waterford, X91 W028 PHONE: +353 51 309 500				
project ref.				
BALLYOULSTER KDA SHD - PHASE 1 RESIDENTIAL DEVELOPMENT				
drawing title				
STORM WATER NETWORK LONGSECTION - SHEET 1				
client				
KIERAN CURTIN, RECEIVER OVER CERTAIN ASSETS OF MAPLEWOOD DEVELOPMENTS UNLIMITED COMPANY				
designed by		author		scale
GIS		GIS		AS NOTED
drawing no.		revision		sheet size
180221-DBFL-SW-SP-M2-C-3001		P01		A1